

# JVC

## DLA-RS420

D-ILA Custom Install Projector

### REFERENCE SERIES

### 4K e-shift4



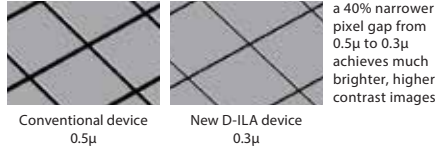
*With updated 4K e-shift4 technology and 400,000:1 dynamic contrast ratio, the DLA-RS420 is able to deliver stunning picture detail at an unprecedented value. The projector's three discrete D-ILA devices produce a stable image with no flicker. When you connect your 4K 60P source to one of its two 18Gbps HDMI/HDCP 2.2 compatible inputs, the displayed 3840 x 2160 resolution will surely "wow" your audience.*

- 1800 Lumens with High Power Lamp (PK-L2615U)
- 40,000:1 Native Contrast Ratio
- Three 1920 x 1080 0.7-inch D-ILA devices
- e-shift4 4K Precision 3840 x 2160 Projected Image
- Two 18Gbps HDMI/HDCP 2.2 Compatible Inputs
- Improved Multi Pixel Control (MPC) w/Auto Mode  
MPC works with 4K60P (up to 4:4:4) signals
- New Auto HDR (w/HDR10 signal) plus Hybrid Log-Gamma
- Motion Enhance (2D, 3D, 4K) w/Upgraded CMD
- New Low Latency Mode reduces gaming/PC frame delays
- 1.4:1 to 2.8:1 motorized zoom lens w/Horizontal and Vertical offset
- Lens memory function memorizes 5 positions for focus, zoom and shift
- Control: Control4 SDDP / LAN / RS-232C / IR / 12V Screen Trigger Output / 3D Sync Output
- 2 Year Warranty

Note: Optional Active 3D Glasses (PK-AG3) and RF Emitter (PK-EM2) are required for viewing images in 3D.



**D-ILA** JVC's 6<sup>th</sup> Generation D-ILA Imaging Device  
The exceptional picture quality achieved by JVC projectors is a result of the precision technology behind the D-ILA device which features a 0.3µ pixel gap and high light efficiency for bright, high native contrast and superior detail.



**4K e-shift4** 4K Precision JVC e-shift4 Technology  
The 4<sup>th</sup> generation of e-shift provides optimization for signals up to 4K, new Multiple Pixel Control features AUTO input mode detection for convenience and adds signal compatibility extending to 4K60P (up to 4:4:4). A new processing algorithm improves sharpness for an advanced 4K picture.



**HDR10 plus Hybrid Log-Gamma**  
HDR content such as UHD Blu-ray discs incorporate extended dynamic range, 10bit color and wide BT.2020 color gamut. This demands exceptional specifications and exacting performance from display devices. DLA-RS420 supports both BT.709 and a BT.2020 color mapping with high native contrast and bright vivid images to let you experience a full complement of HDR content.  
**Hybrid Log-Gamma** is an additional HDR Gamma mode that is used for live broadcast or streaming events.



**18Gbps Full Speed HDMI Inputs with HDCP2.2**  
With the current expansion of 4K streaming and the next generation Ultra HD Blu-ray, JVC has incorporated the latest HDMI/HDCP2.2 standard on both DLA-RS420 HDMI inputs allowing two HDCP2.2 copy protected devices to be connected at the same time up to 60 fps.

**Motion Enhance – New blur reduction technology**  
Motion Enhance technology minimizes motion blur significantly by optimizing the drive of the D-ILA device working in combination with Clear Motion Drive. Motion Enhance is also compatible with 4K and 3D signals to give a smooth and detailed image for a variety of scenes.



Control4 CERTIFIED Home Automation

All JVC Reference Series projectors are Control4 SDDP (Simple Device Discovery Protocol) software certified so they can easily be integrated into a Control4 home automation system.

**Optional Equipment**



**Connectors**

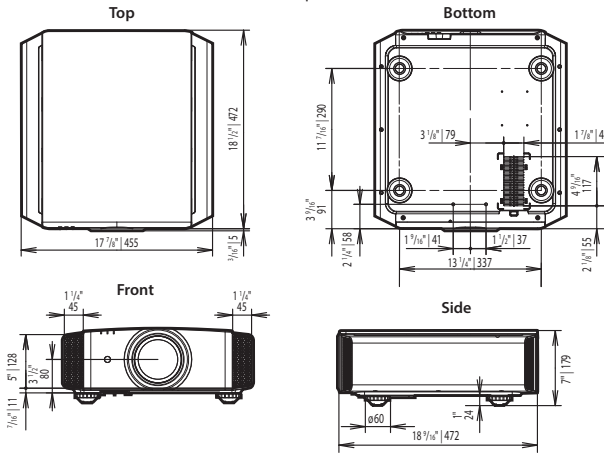


**Specifications**

		DLA-RS420
Imaging device		0.7 inch Full HD D-ILA (1920 x 1080) x3
4K e-shift4 Technology		Yes
Resolution		3840 x 2160 Precision via e-shift4 technology (1920 x 1080 in 3D mode)
Lens		2X Motorized Zoom & Focus, (f2)1.4 to 2.8 (f4) Throw Distance Range Throw distance=Screen width X1.4 (Min.), Screen width X2.8 (Max.)
Lens Shift		Motorized Shift±80% Vertical and ±34% Horizontal
Light Source		NSH 265W Lamp (lamp life: approx. 4500 hours when the lamp is in Low mode)
Contrast Ratio		Native: 40,000:1   Dynamic: 400,000:1
Input Terminals	HDMI	2 (Full Speed 18Gbps HDMI/HDCP 2.2 Compatible w/HDR)
Output Terminals	3D Sync	1 (Mini DIN 3pin)
	Trigger	1 (Mini jack, DC12V/100mA)
Control Terminals	RS-232C	1 (D-sub 9pin)
	LAN (RJ-45)	1
Digital Video Signal		480p, 576p, 720p/50 Hz, 720p/60 Hz, 1080i/50 Hz, 1080i/60 Hz, 1080p/24 Hz, 1080p/50 Hz, 1080p/60 Hz, 3840x2160/24Hz, 3840x2160/25Hz, 3840x2160/30Hz, 3840x2160/50Hz*, 3840x2160/60Hz*, 4096x2160/24Hz**, 4096x2160/25Hz**, 4096x2160/30Hz**, 4096x2160/50Hz**1, 4096x2160/50Hz**2
3D Signal	Frame Packing	720p/50 Hz, 720p/60 Hz, 1080p/24 Hz
	Side-by-Side	1080i/60 Hz, 1080p/60 Hz, 1080i/50 Hz, 1080p/50 Hz, 1080p/24 Hz, 720p/50 Hz, 720p/60 Hz
	Top-and-Bottom	720p/50 Hz, 720p/60 Hz, 1080p/24 Hz
PC Input Signal Format	HDMI	VGA 60, VGA 59.94, SVGA 60, XGA 60, WXGA 60, WXGA+ 60, SXGA 60, WSXGA+ 60, WUXGA 60
Dimensions	(WxHxD-inches)	17 7/8 x 7 x 18 1/16
Weight (net)	(lbs)	34

\*1 When the color space is RGB/YCbCr(4:4:4), only 8-bit input is supported.  
\*\* 4096x2160 Signal will be cropped equally on left and right side and image will be displayed 3840x2160.

**External Dimensions (unit: inches | mm)**



**Notes about viewing 3D video content**  
• The optional 3D Synchro Emitter and 3D glasses are required to view 3D images from the D-ILA projectors. 3D video software (3D media or output of 3D broadcasts) and a 3D-compatible video player are also required. • Perception of 3D images will vary with individual viewers. • Stop viewing 3D images immediately if any discomfort such as headaches, dizziness, eye fatigue, etc. occurs. • Viewing of 3D images by children under the age of five is not recommended. • Read the Safety Precautions in the User Manual carefully before viewing any 3D source.

• The projector is equipped with a new super-high pressure mercury lamp, which may break, emitting a loud noise, when it is subjected to shock or after it has been used for some length of time. • Please note that, depending on how the projector is used, there can be considerable difference between individual lamps regarding how many hours they will operate before requiring replacement. • An additional payment is required for installation of a new lamp, if necessary. • The projector lamp requires periodic replacement and is not covered by the projector's warranty. • The lamp warranty is one year or 1000 hours, whichever comes first. • Please be aware that, because the D-ILA device is manufactured using highly advanced technologies, 0.01% or fewer of the pixels may be non-performing (always on or off). • Design and specifications are subject to change without notice. • All pictures on this brochure are simulated. • Adobe is a trademark or registered trademark of Adobe Systems Incorporated in the U.S. and/or other countries. • HDMI, the HDMI logo and High-Definition Multimedia Interface are registered trademarks of HDMI Licensing LLC. • All other brand or product names may be trademarks and/or registered trademarks of their respective owners. • Any rights not expressly granted herein are reserved.

Copyright © 2016, JVCKENWOOD Corporation. All Rights Reserved.

referenceries.com

**JVCKENWOOD**

Printed in the U.S.A.

"JVC" is the trademark or registered trademark of JVCKENWOOD Corporation.